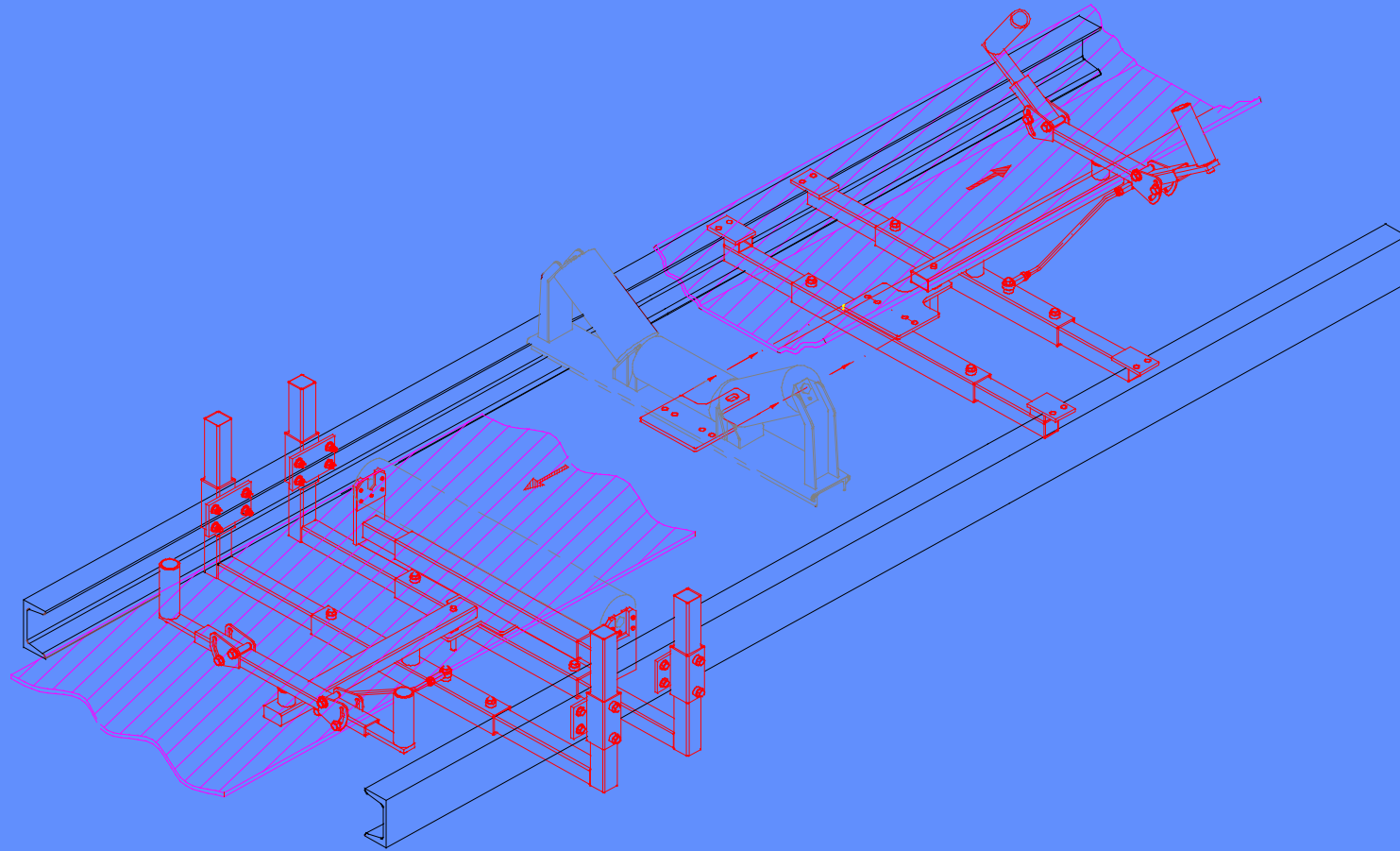


MARTIN® TRACKER

Belt Tracking System

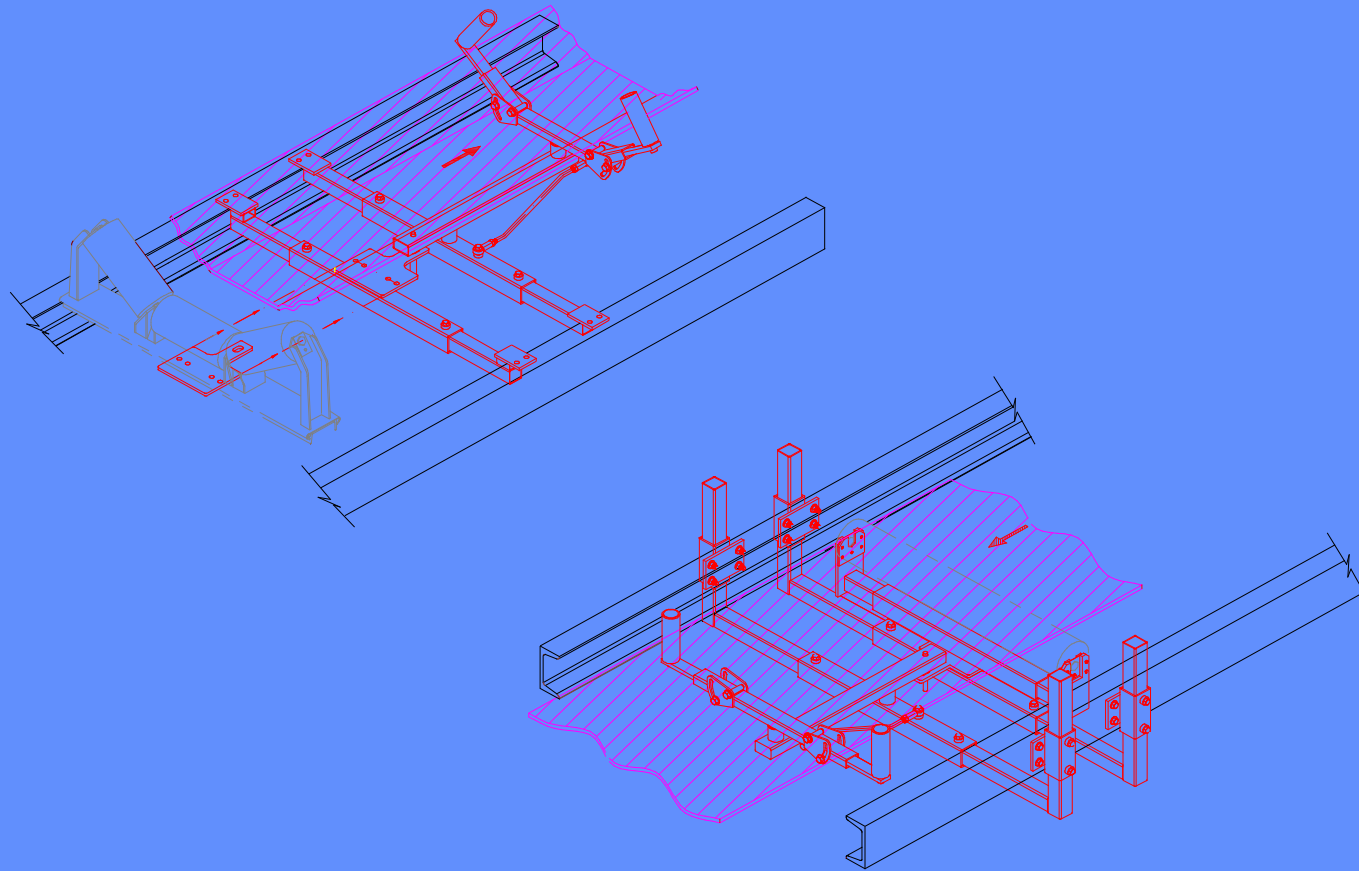


MARTIN[®] TRACKER

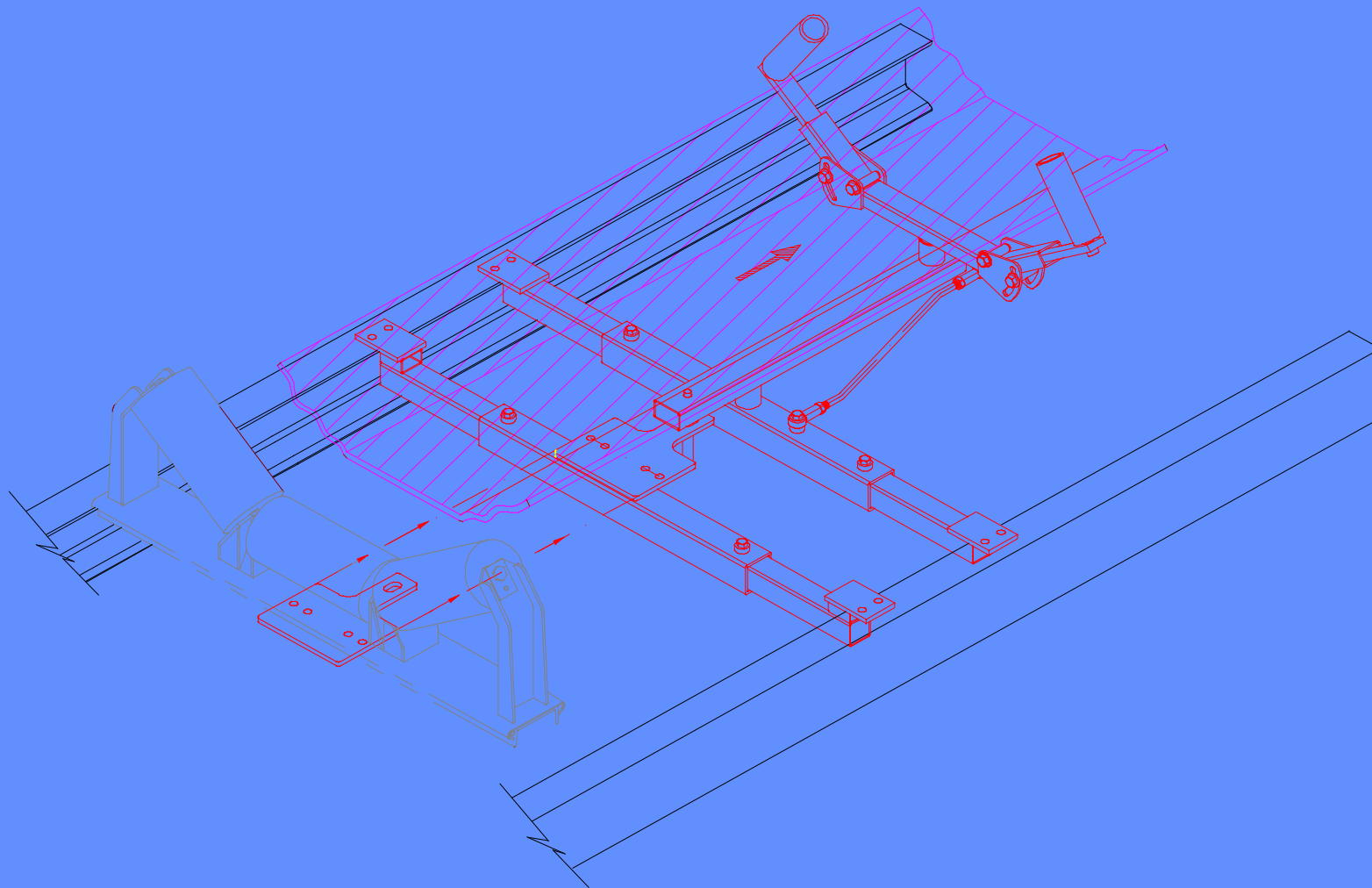
offers

- ➡ Immediate
- ➡ Continuous
- ➡ Precise
- ➡ Micro adjustments to the Belt's path

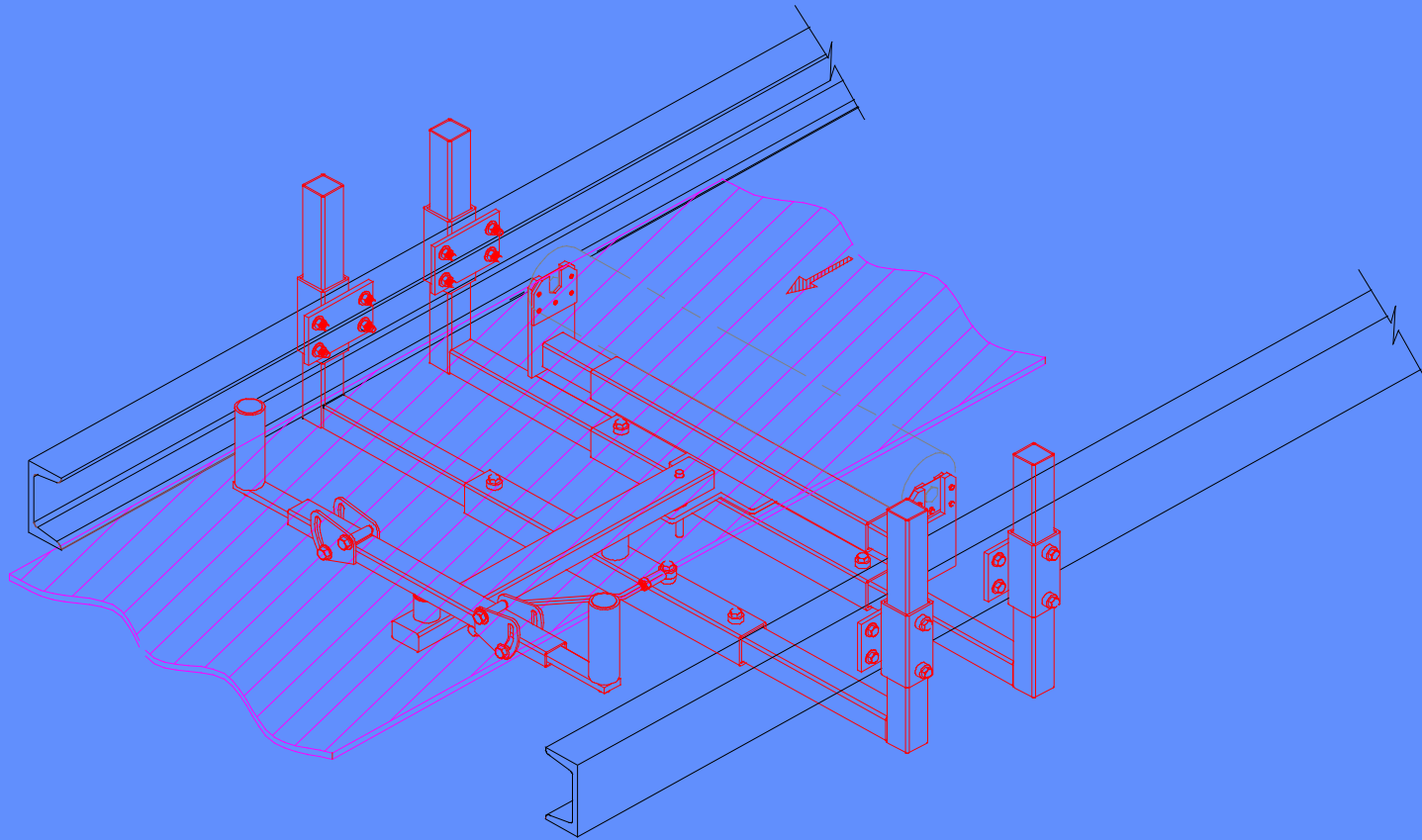
Available in two versions



Upper unit



Lower unit

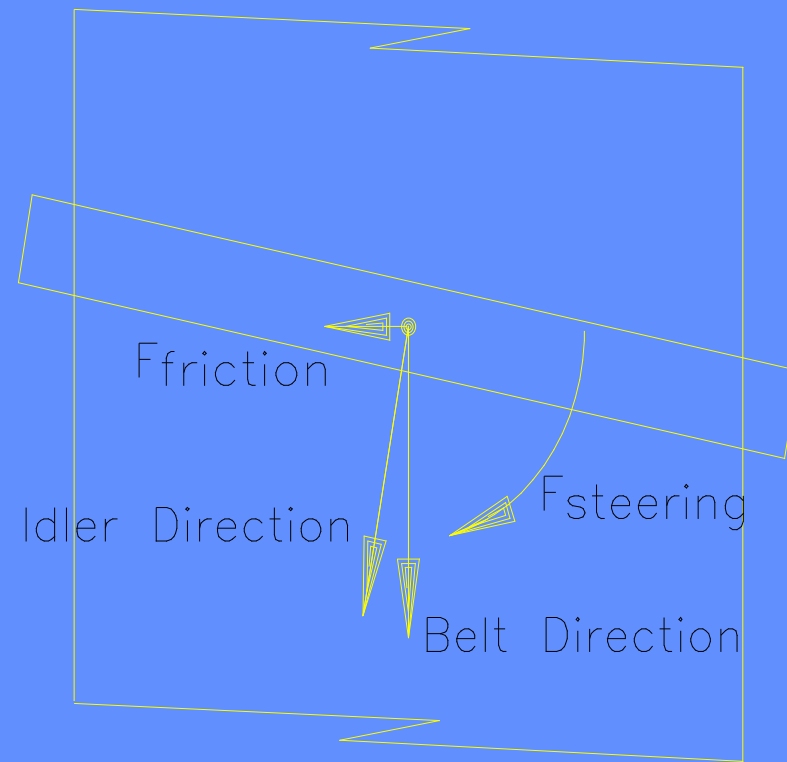


Available in 4 sizes

- ➡ 24 to 36 inch (650 to 950 mm)
- ➡ 42 to 54 inch (1000 to 1350 mm)
- ➡ 60 to 72 inch (1400 to 1750 mm)
- ➡ 84 inch (1800 to 2150 mm)

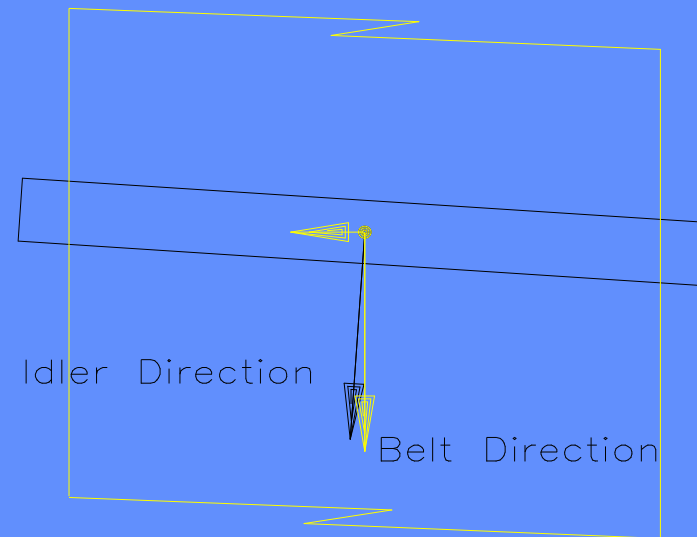
The Science of the System

- ☞ F_{steering}
 - ↗ F_{friction}
 - ↗ Weight of the belt
- ☞ Limited by
 - ↗ Coefficient of friction
 - ↗ Weight on the idler

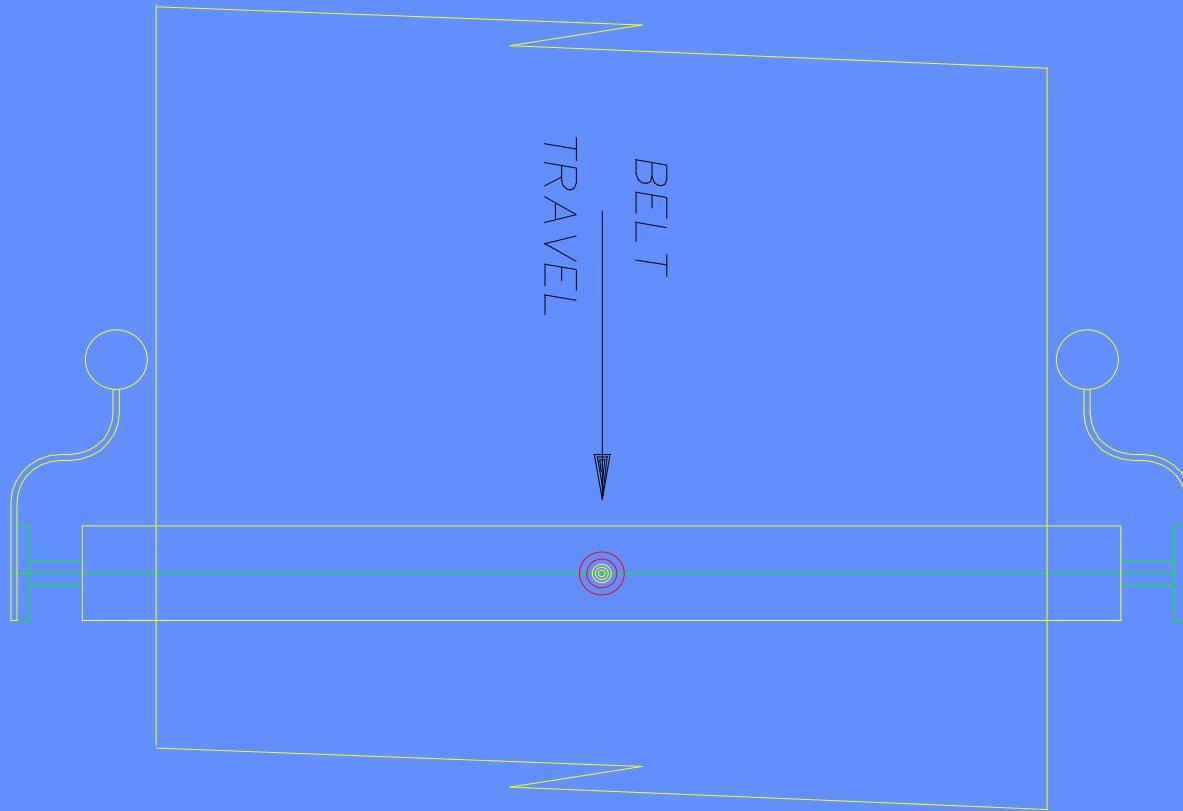


Training Effects

- 👉 Small angle
- 👉 Most visible downstream

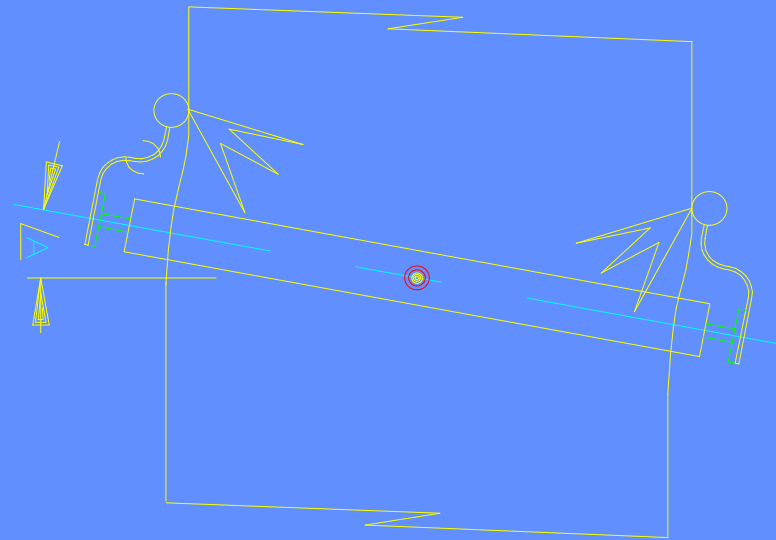


“Standard” Training Idlers

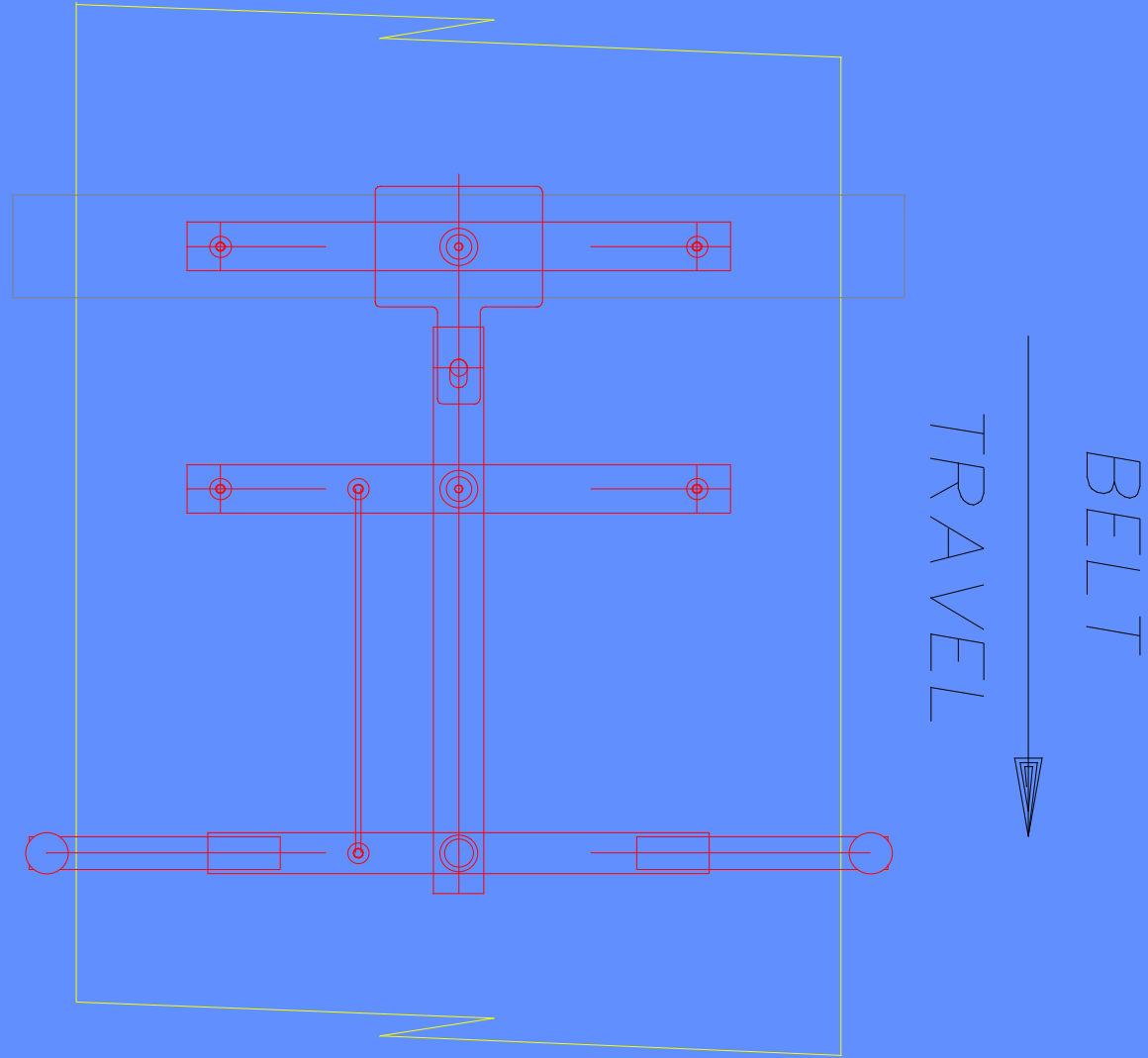


Guide Rolls Positioned Close

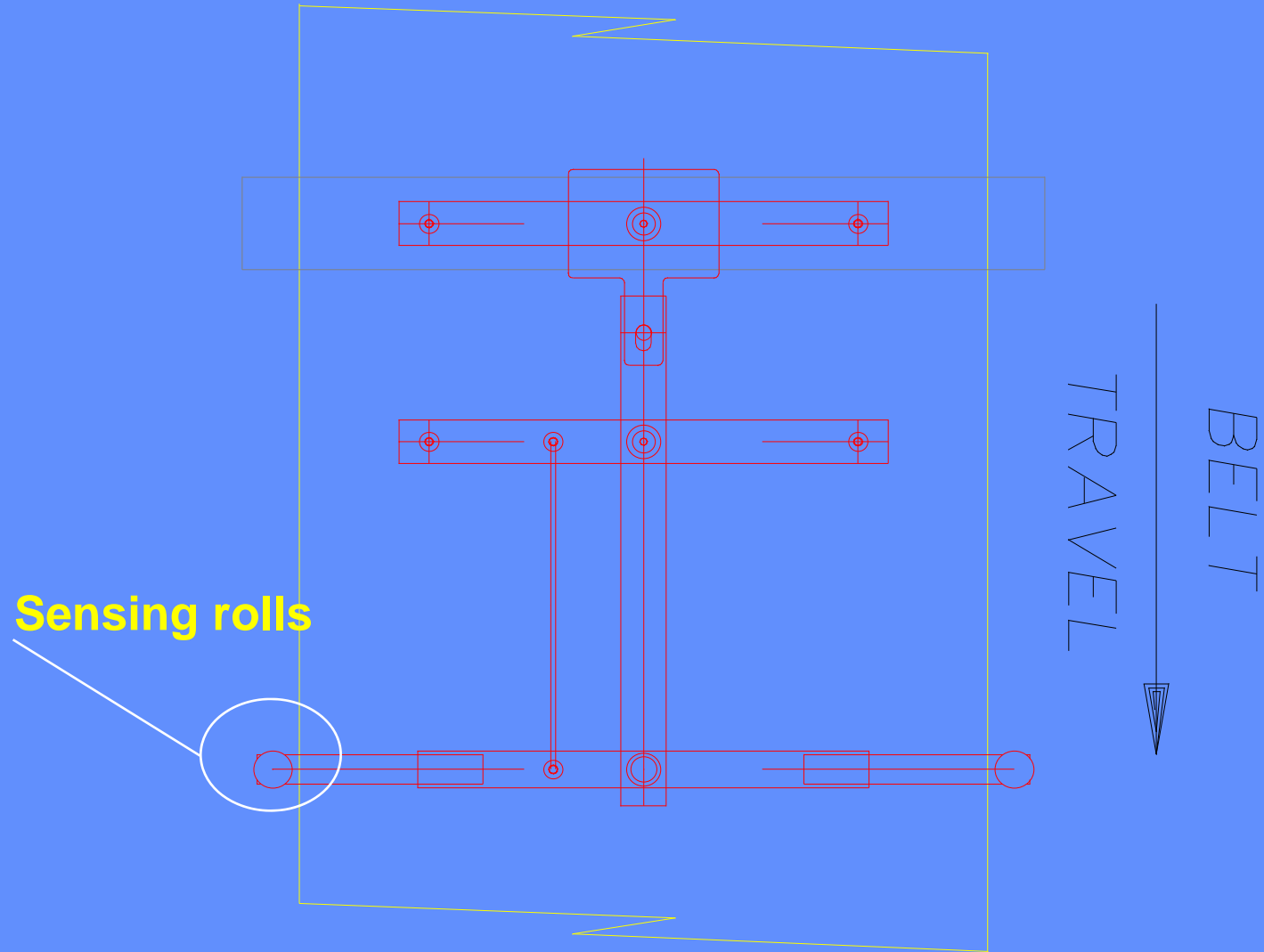
- ☞ Short arms
 - Little leverage
 - Considerable force
- ☞ Single pivot
 - Hard pinching
 - Belt edge damage



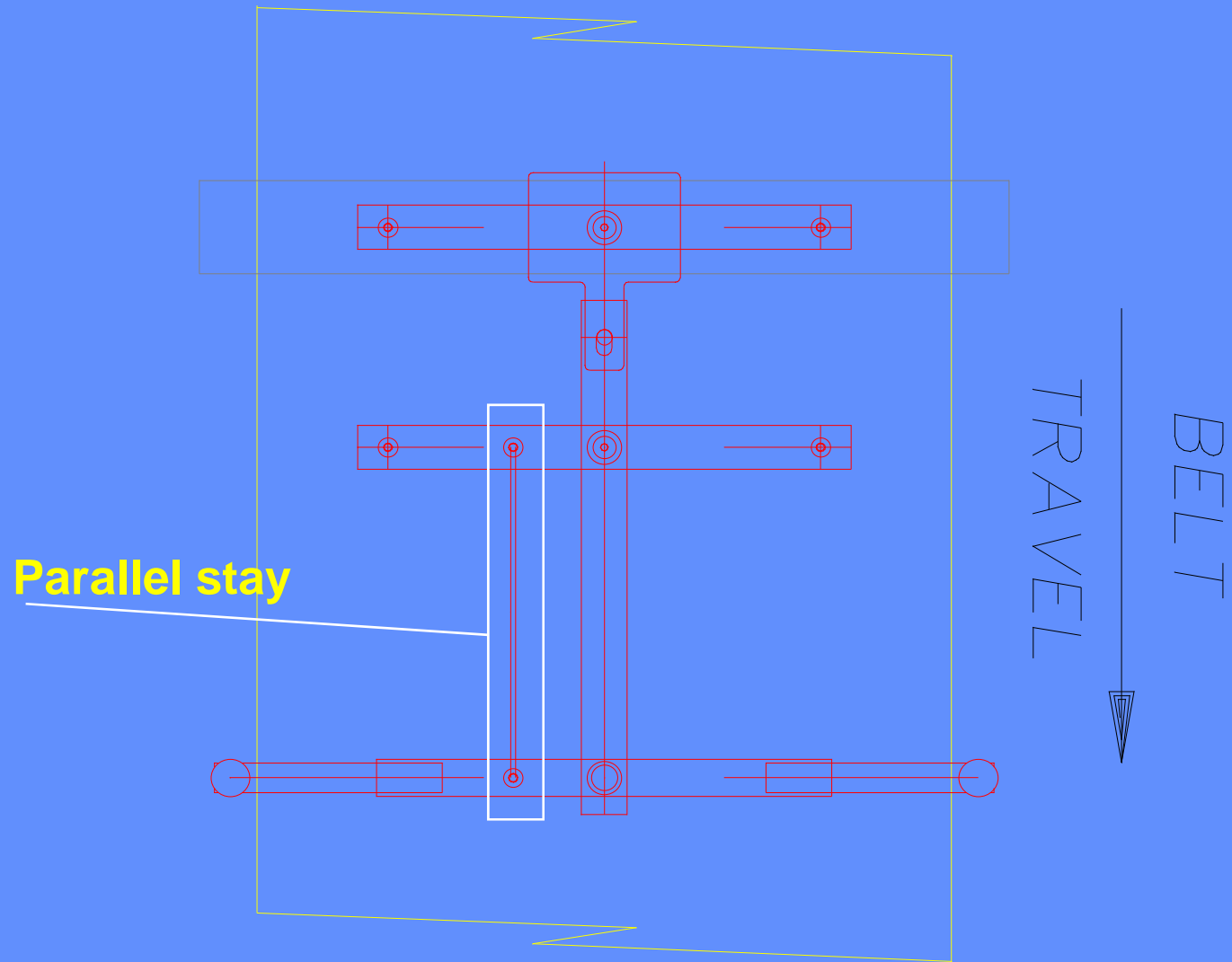
MARTIN[®] TRACKER



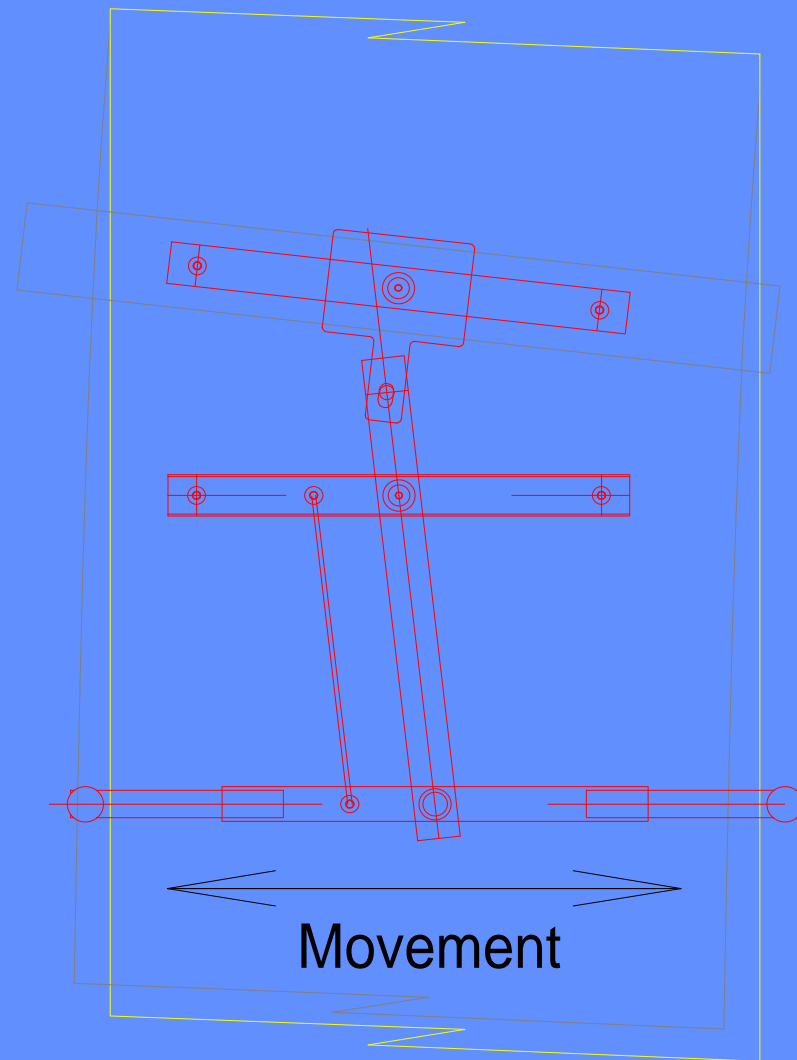
MARTIN[®] TRACKER



MARTIN[®] TRACKER

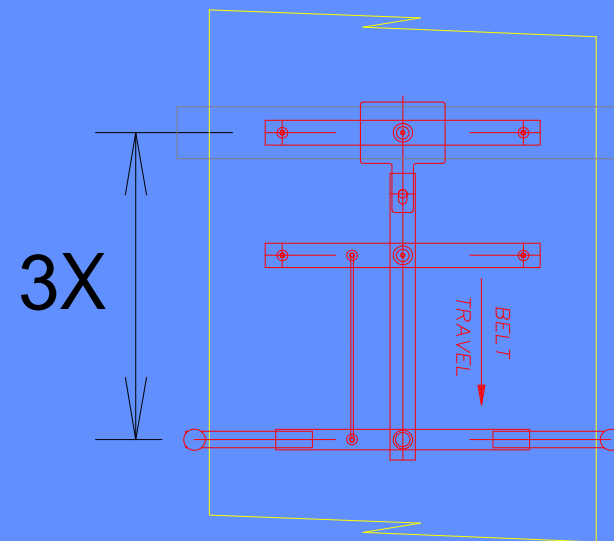
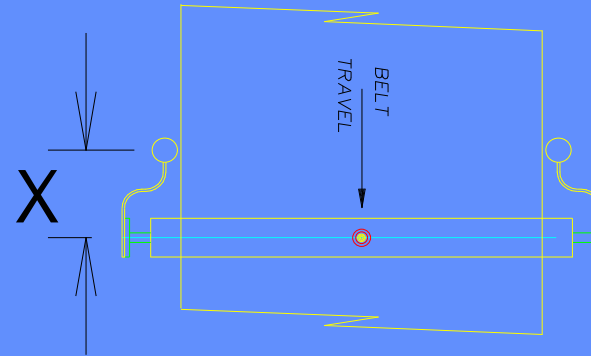


MARTIN[®] TRACKER



Mechanical Advantage

- 👉 3.3 times longer
- 👉 Longer reactive distance
- 👉 Requires 1/2 the force
- 👉 Prevent seizing



MARTIN[®] TRACKER

- ☞ Twice the force to pivot idler
 - Prevent seizing
 - Prevent belt edge damage
- ☞ Parallel linkage
 - Sensing rolls remain perpendicular
 - Closely follows belt movement
- ☞ Steering idler before Sensing rolls
 - “Fine Tunes”

RESULTING IN

- 👉 Immediate
- 👉 Continuous
- 👉 Precise
- 👉 Micro adjustments to the Belt's path

GUARANTEED RESULTS

- 👉 PERFECT TRACKING
- 👉 ONE YEAR PAYBACK

